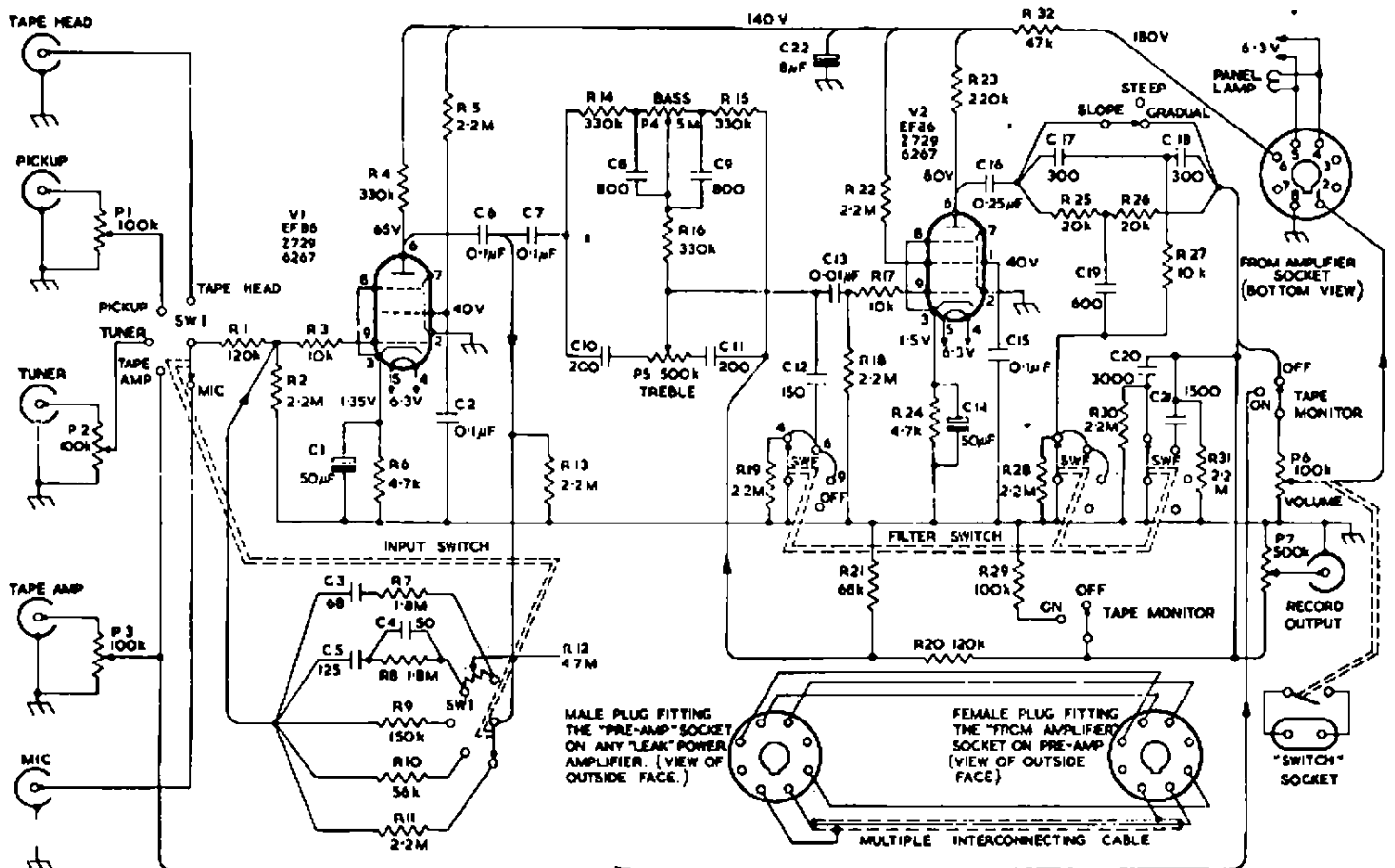


CHASSIS LAYOUT, BOTTOM COVER REMOVED



RESISTOR VALUES SHOWN IN OHMS  
 CAPACITOR VALUES SHOWN IN MICRO-MICROFARADS  
 EXCEPT WHERE OTHERWISE SHOWN  
 VOLTAGES MEASURED USING A METER OF 20,000 Ω / VOLT.

Leak Varislope Mono  
 CIRCUIT DIAGRAM